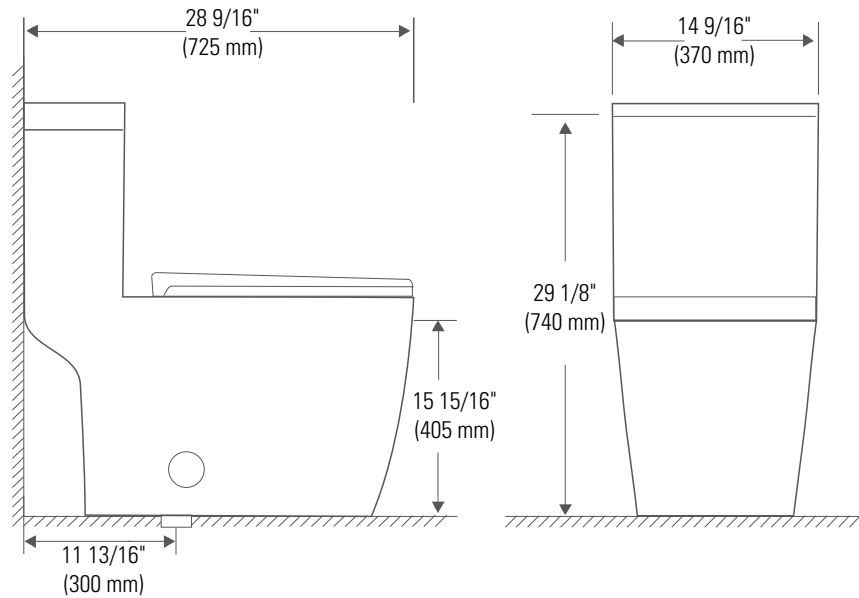
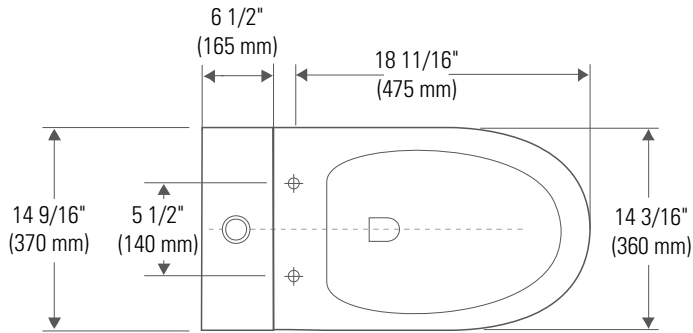


## FB1691 PRAGUE



\* All dimensions are approximate and subject to change without notice.  
Please refer to the installation guide before beginning the installation.



ADA Compliant  
B651-04